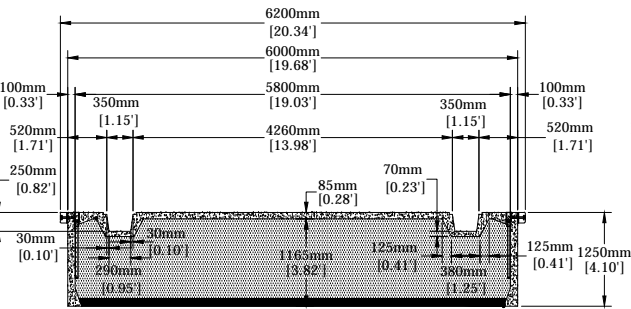
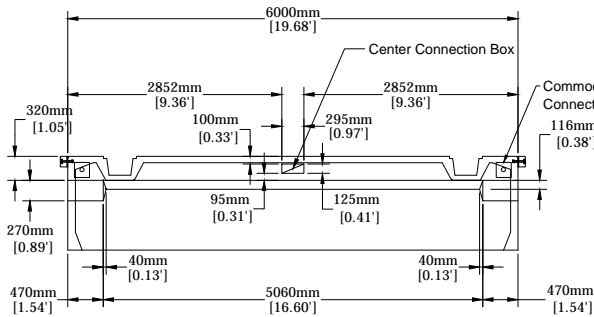


COMMODORE C6200c-H

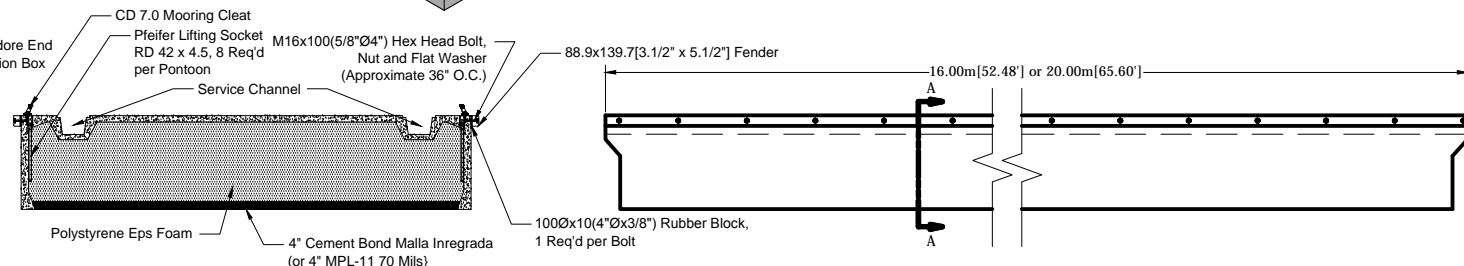
TECHNICAL DATA



COMMODORE C6200c-H
SECTION A-A



END ELEVATION VIEW



SECTION A-A
SCALE 3/8" = 1'

SIDE ELEVATION VIEW

COMMODORE C6200c-H [20' width] with Two Service Channels Technical Data

Model	Total Width (meter/feet)	Concrete Width (meter/feet)	Height (meter/feet)	Length (meter/feet)	Freeboard (mm/inch)	Area (square meter/squarefeet)	Volume (cubic meter/cubic yard)	Weight (kg/lbs)	Type
C6216c[20'x52.48']	6.20/20.34	6.00/19.68	1.25/4.10	16.00/52.48	650-700/25.58-27.55	96/1033.34	118.31/154.74	46500-51100/102514-112655	Concrete
C6220c[20'x65.60']	6.20/20.34	6.00/19.68	1.25/4.10	20.00/65.60	650-700/25.58-27.55	120/1291.68	147.19/192.50	58000-63800/127867-140654	Concrete