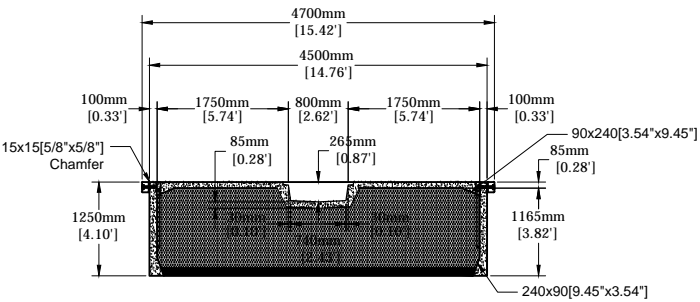
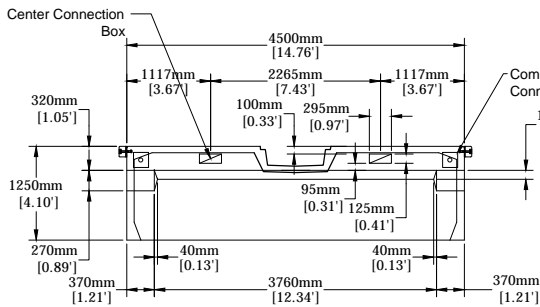


# COMMODORE C4800CC

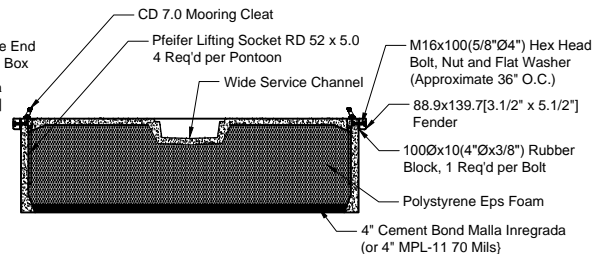
## TECHNICAL DATA



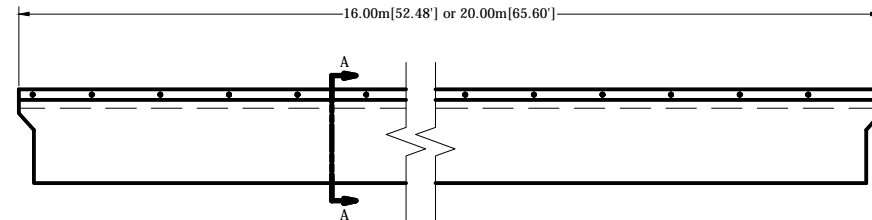
COMMODORE C4800CC  
SECTION A-A



END ELEVATION VIEW



SECTION A-A  
SCALE 3/8" = 1'



SIDE ELEVATION VIEW

COMMODORE C4800CC [15' width] with Wide Service Channel Technical Data

| Model               | Total Width (meter/feet) | Concrete Width (meter/feet) | Height (meter/feet) | Length (meter/feet) | Freeboard (mm/inch) | Area (square meter/squarefeet) | Volume (cubic meter/cubic yard) | Weight (kg/lbs)           | Type     |
|---------------------|--------------------------|-----------------------------|---------------------|---------------------|---------------------|--------------------------------|---------------------------------|---------------------------|----------|
| C4816CC[15'x52.48'] | 4.70/15.42               | 4.50/14.76                  | 1.25/4.10           | 16.00/52.48         | 650-700/25.58-27.55 | 72/775.01                      | 88.62/115.91                    | 38200-40090/84216-88382   | Concrete |
| C4820CC[15'x65.60'] | 4.70/15.42               | 4.50/14.76                  | 1.25/4.10           | 20.00/65.60         | 650-700/25.58-27.55 | 90/968.76                      | 110.28/144.24                   | 46500-49920/102514-110054 | Concrete |