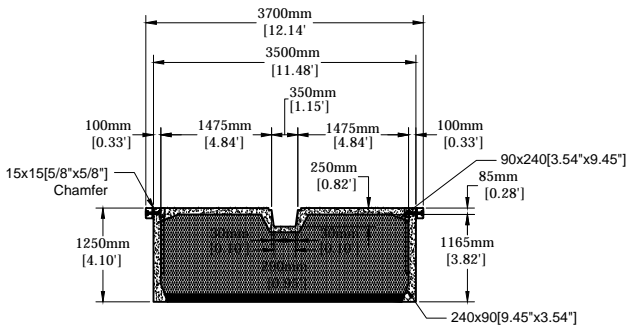
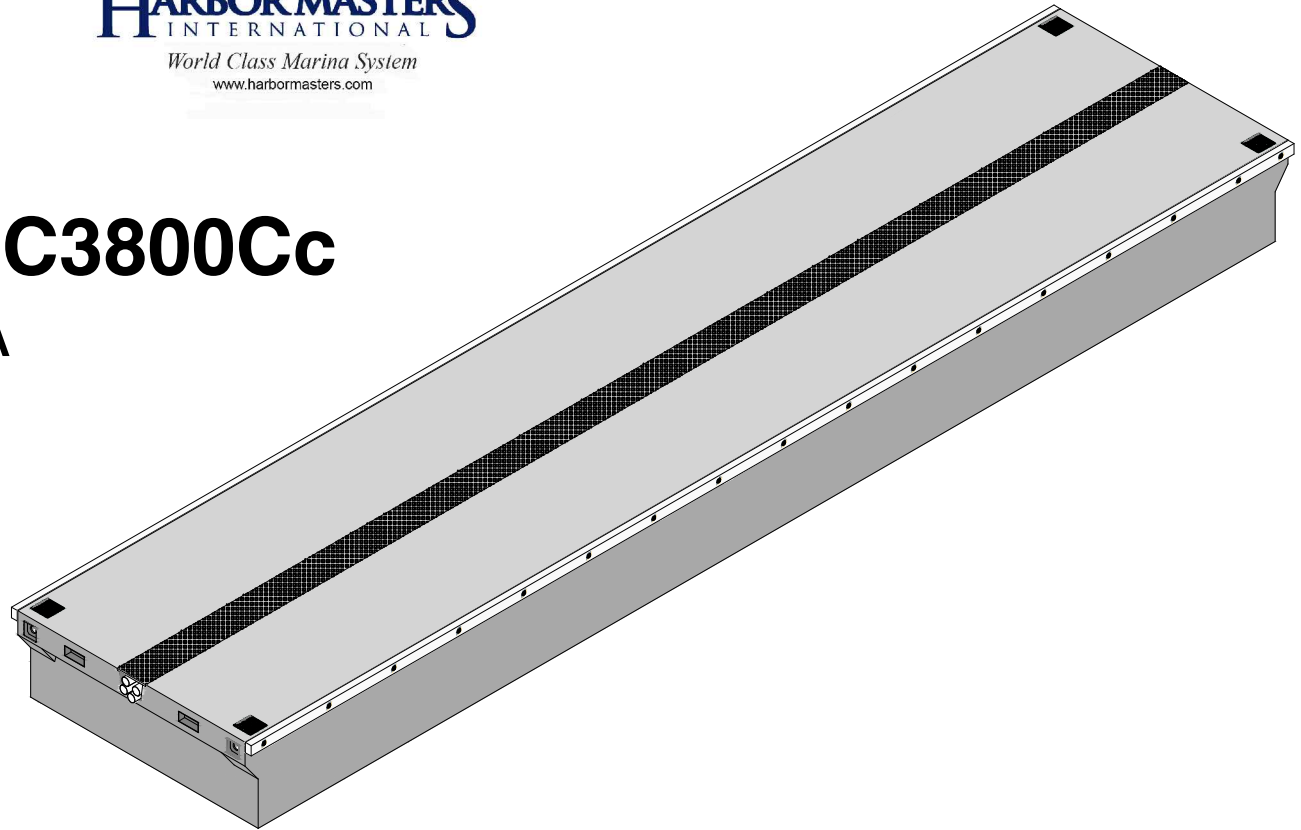
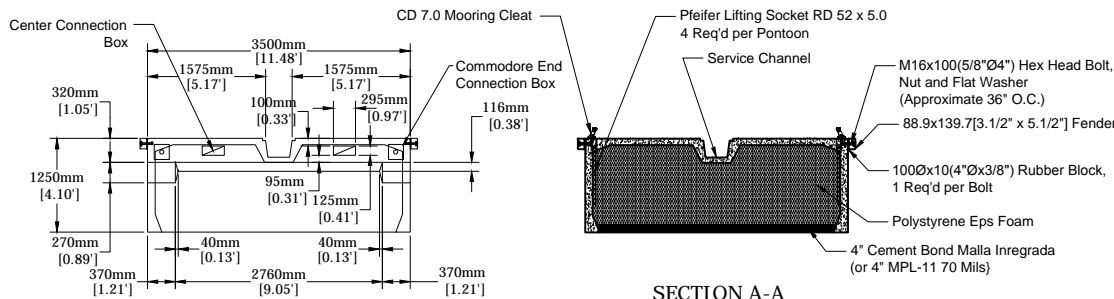


COMMODORE C3800Cc

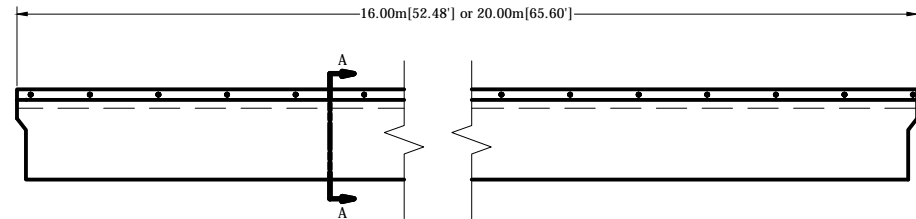
TECHNICAL DATA



COMMODORE C3800Cc
SECTION A-A



SECTION A-A
SCALE 3/8" = 1'



SIDE ELEVATION VIEW

END ELEVATION VIEW

COMMODORE C3800Cc [12' width] with Service Channel Technical Data

Model	Total Width (meter/feet)	Concrete Width (meter/feet)	Height (meter/feet)	Length (meter/feet)	Freeboard (mm/inch)	Area (square meter/squarefeet)	Volume (cubic meter/cubic yard)	Weight (kg/lbs)	Type
C3816Cc[12'x52.48']	3.70/12.14	3.50/11.48	1.25/4.10	16.00/52.48	650-700/25.58-27.55	56/602.78	68.93/90.16	31060-34640/68470-76370	Concrete
C3820Cc[12'x65.60']	3.70/12.14	3.50/11.48	1.25/4.10	20.00/65.60	650-700/25.58-27.55	70/753.48	85.78/112.19	38650-42230/85200-93100	Concrete