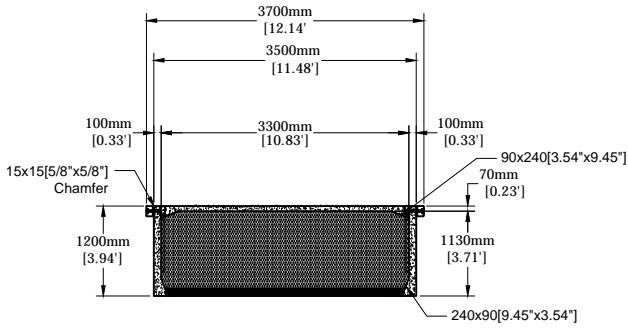
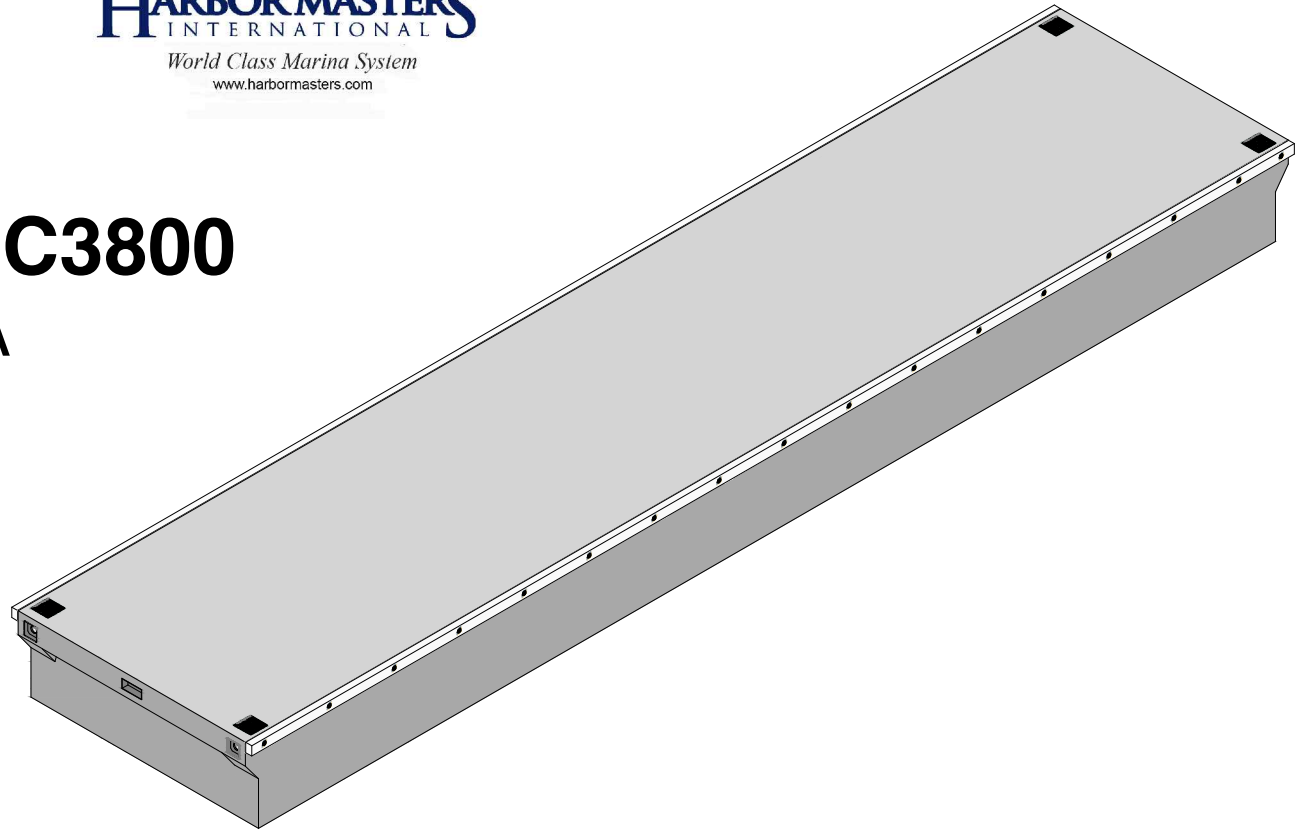
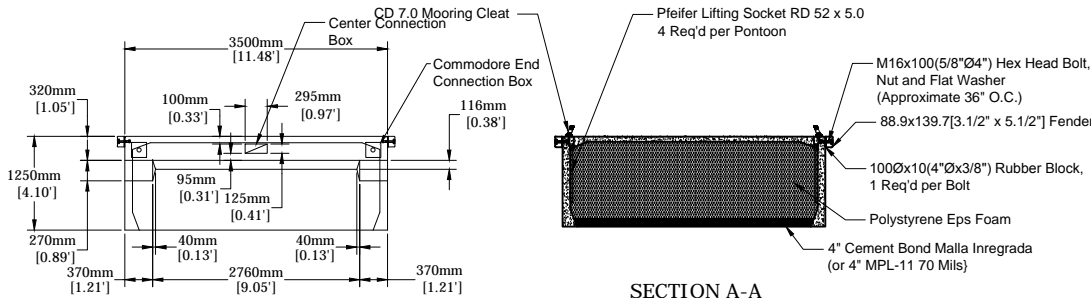


# COMMODORE C3800

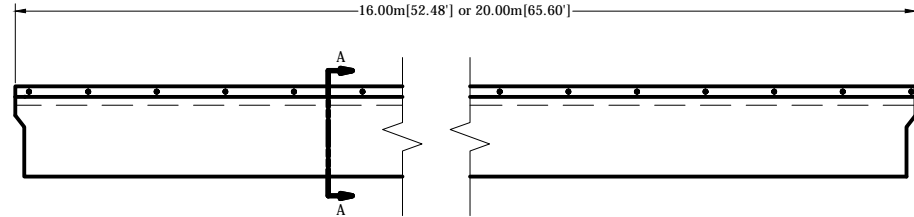
## TECHNICAL DATA



COMMODORE C3800  
SECTION A-A



SECTION A-A  
SCALE 3/8" = 1'



SIDE ELEVATION VIEW

END ELEVATION VIEW

COMMODORE C3800 [12' width] with Service Channel Technical Data

Model	Total Width (meter/feet)	Concrete Width (meter/feet)	Height (meter/feet)	Length (meter/feet)	Freeboard (mm/inch)	Area (square meter/squarefeet)	Volume (cubic meter/cubic yard)	Weight (kg/lbs)	Type
C3816 [12'x52.48']	3.70/12.14	3.50/11.48	1.25/4.10	16.00/52.48	650-700/25.58-27.55	56/602.78	66.20/86.58	27100-29800/59745-65700	Concrete
C3820 [12'x65.60']	3.70/12.14	3.50/11.48	1.25/4.10	20.00/65.60	650-700/25.58-27.55	70/753.48	82.37/107.73	33800-37200/74520-82010	Concrete