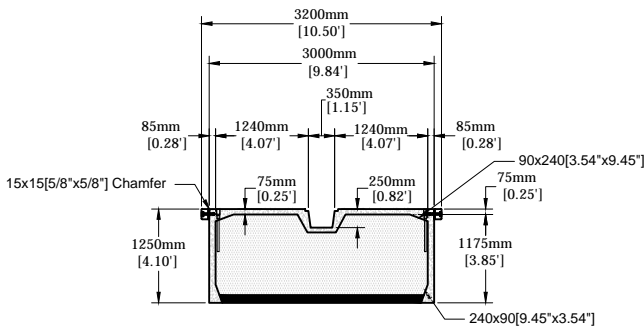
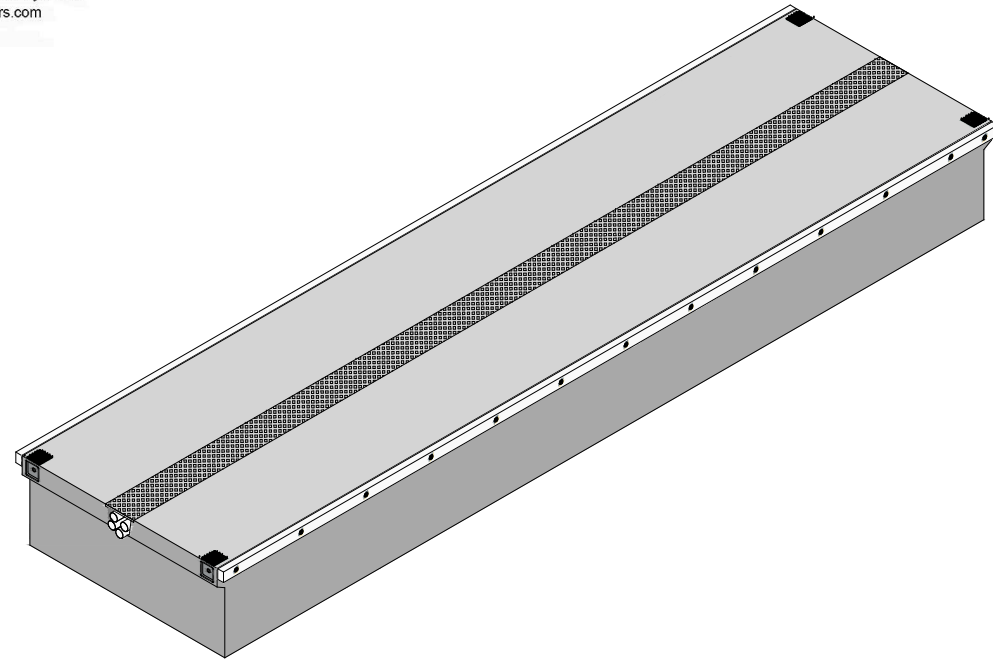
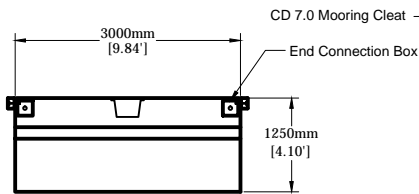


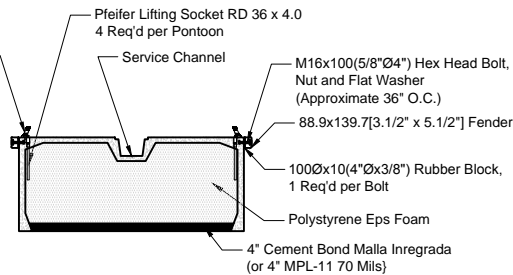
ADMIRAL A3200Cc TECHNICAL DATA



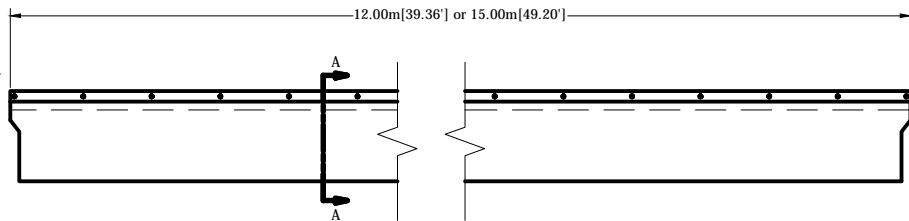
ADMIRAL A3200Cc
SECTION A-A



END ELEVATION VIEW



SECTION A-A
SCALE 3/8" = 1'



SIDE ELEVATION VIEW

ADMIRAL A3200Cc [10' width] with Service Channel Technical Data

Model	Total Width (meter/feet)	Concrete Width (meter/feet)	Height (meter/feet)	Length (meter/feet)	Freeboard (mm/inch)	Area (square meter/squarefeet)	Volume (cubic meter/cubic yard)	Weight (kg/lbs)	Type
A3212Cc[10'x40']	3.20/10.50	3.00/9.84	1.25/4.10	12.00/39.36	650-700/25.58-27.55	36/387.51	33.80/44.21	17500-19300/38581-42549	Concrete
A3215Cc[10'x50']	3.20/10.50	3.00/9.84	1.25/4.10	15.00/49.20	650-700/25.58-27.55	45/484.38	42.44/55.51	22000-24200/48502-53352	Concrete