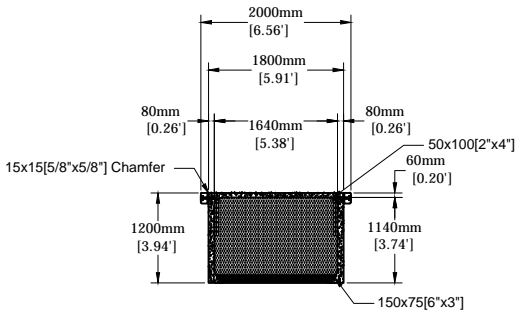
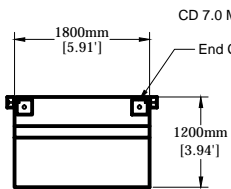


ADMIRAL A2000H

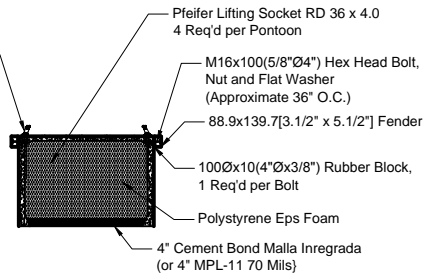
TECHNICAL DATA



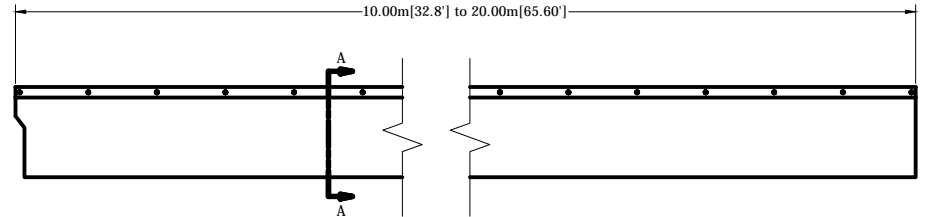
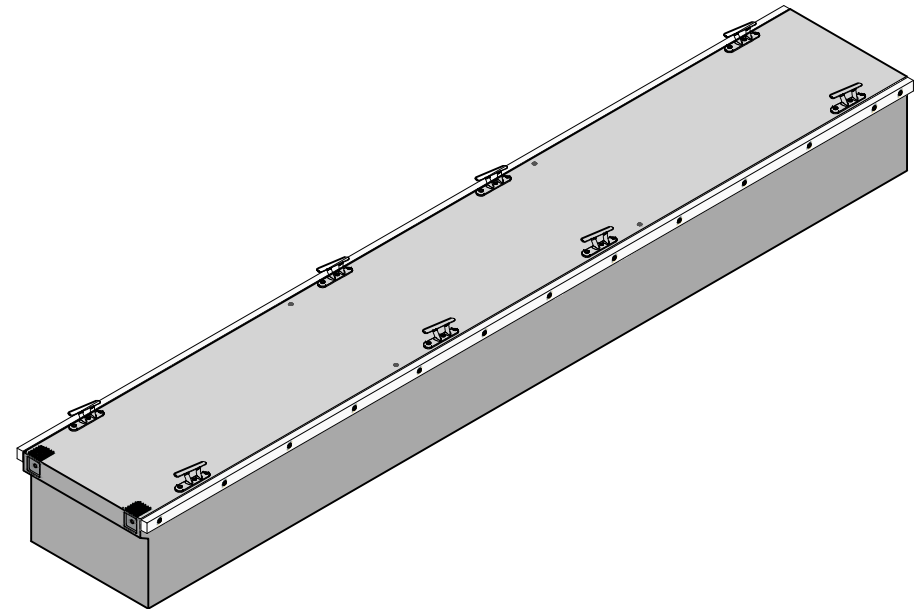
ADMIRAL A2000H
SECTION A-A



END ELEVATION VIEW



SECTION A-A
SCALE 3/8" = 1'



SIDE ELEVATION VIEW

ADMIRAL A2000H [6' width] Technical Data

Model	Total Width (meter/feet)	Concrete Width (meter/feet)	Height (meter/feet)	Length (meter/feet)	Freeboard (mm/inch)	Area (square meter/squarefeet)	Volume (cubic meter/cubic yard)	Weight (kg/lbs)	Type
A2010.5H[6'x35']	2.00/6.56	1.80/5.91	1.20/3.94	10.50/34.44	650-700/25.58-27.55	18.90/203.44	22.22/29.07	9544-9995/21049-22034	Concrete
A2015H[6'x50']	2.00/6.56	1.80/5.91	1.20/3.94	15.00/49.20	650-700/25.58-27.55	27.00/290.63	31.77/41.55	11753-14290/25910-31504	Concrete
A2018H[6'x60']	2.00/6.56	1.80/5.91	1.20/3.94	18.00/59.04	650-700/25.58-27.55	32.40/348.75	38.24/50.03	16424-17200/36209-37919	Concrete